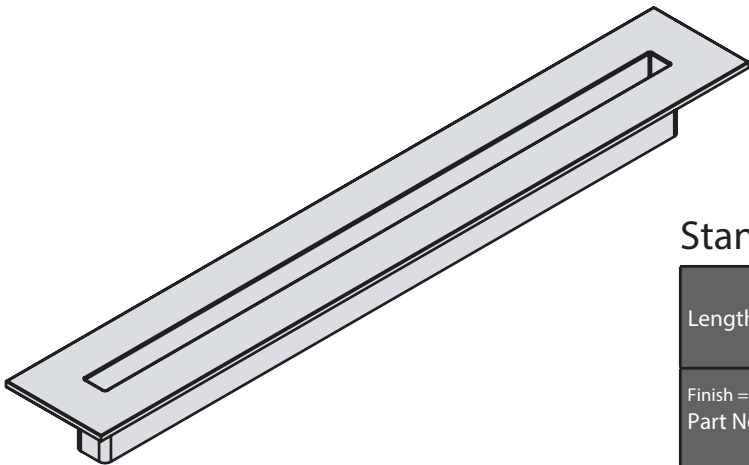
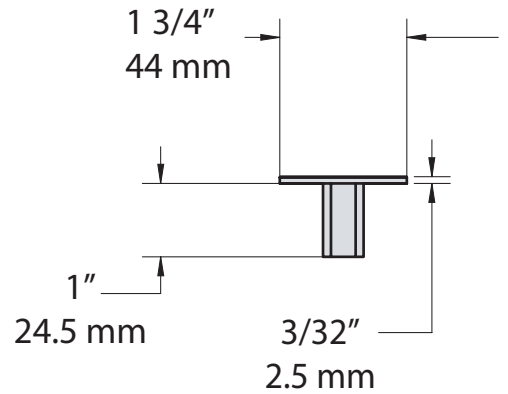
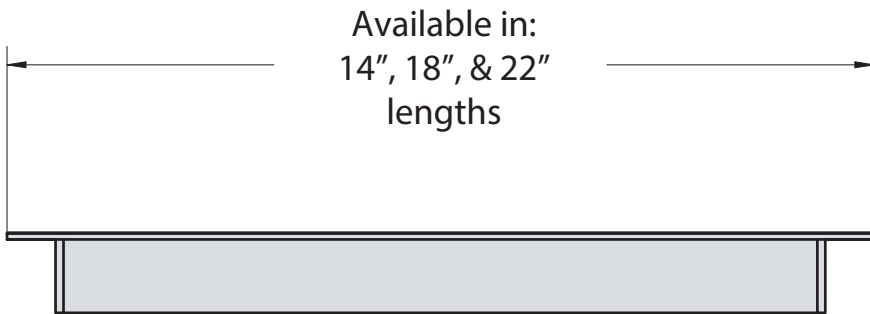
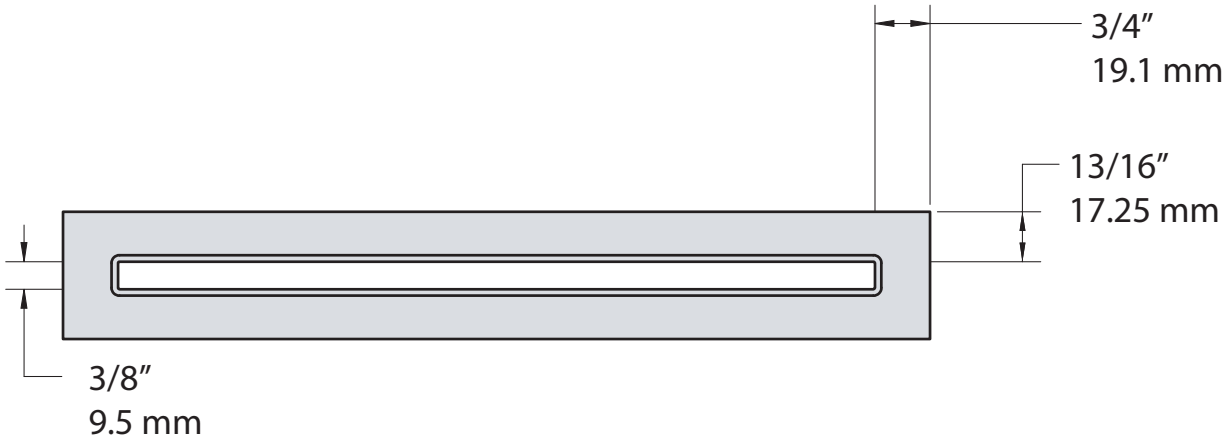




LINEAR DRAINS

P.O. Box 8064, Atlanta, GA 31106
 p: 877.398.8110 f. 877.388.1239
 e: sales@lineardrains.com
 www.lineardrains.com

▶ Stainless Steel Knife Slot



Standard Knife Slot Lengths

Length (Inches)	14"	18"	22"
Finish = Polished Stainless Part No.	KS-14	KS-18	KS-22